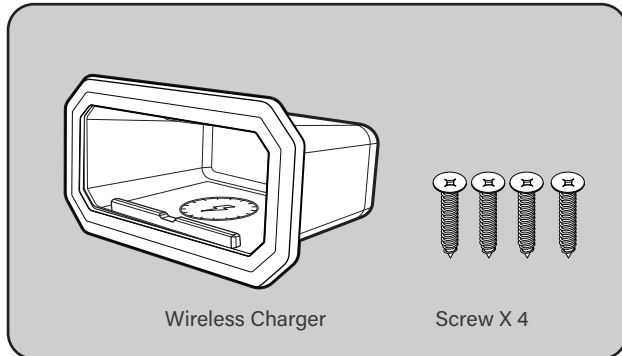


AquaAmp

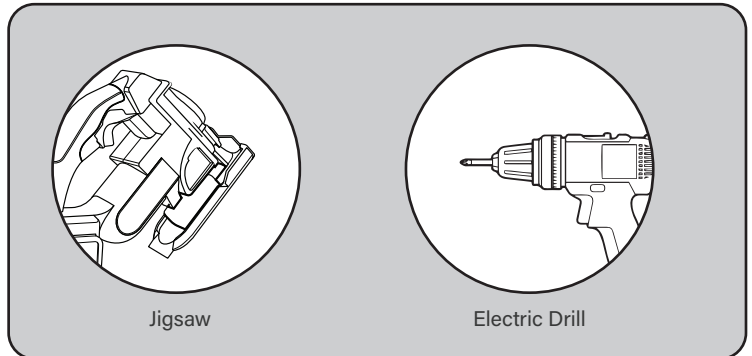
INSTALLATION INSTRUCTIONS

700 SERIES WATERPROOF WIRELESS CHARGER

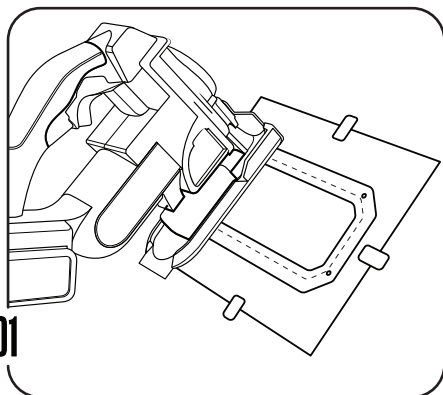
PARTS PROVIDED



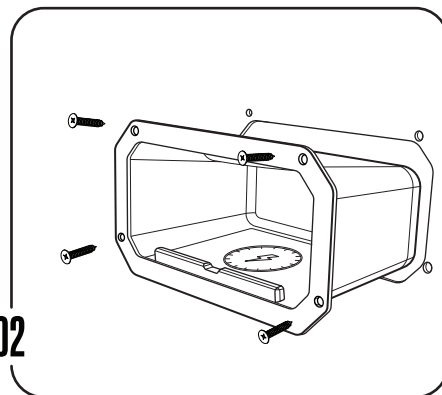
TOOLS REQUIRED



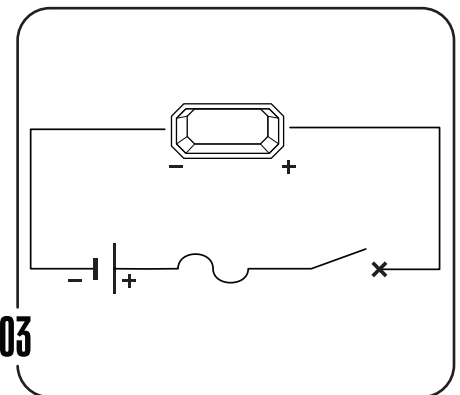
INSTALLATION GUIDE



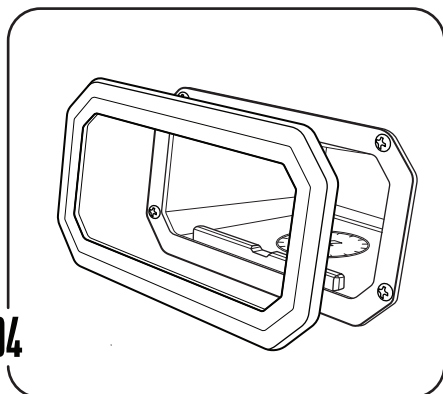
STEP 1: Use installation template to drill 4x pilot holes and cut cable hole.



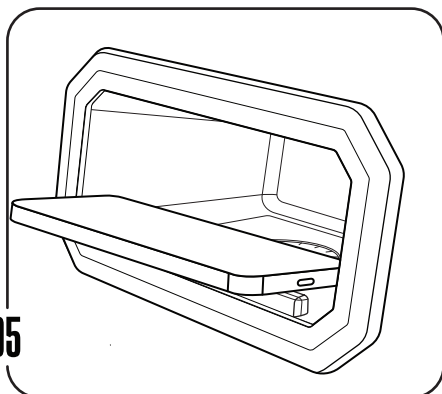
STEP 2: Feed cable through the hole and use provided screws to secure charger to surface.



STEP 3: Using an appropriately sized fuse, attach wires to a 12v power supply and ensure there is a waterproof connection.



STEP 4: Attach the cover.



STEP 5: Check that the device is charging a few seconds after it is placed.

CONTACT:

orders@aquamp.com
13926 Monroes Business Park, Tampa, FL 33635

For further information visit www.aquamp.com

AquaAmp

FCC Statement

This device complies with part 15 of the FCC Rules. Operation is subject to the following two conditions: (1) This device may not cause harmful interference, and (2) this device must accept any interference received, including interference that may cause undesired operation.

Note: This equipment has been tested and found to comply with the limits for a Class B digital device, pursuant to part 15 of the FCC Rules. These limits are designed to provide reasonable protection against harmful interference in a residential installation. This equipment generates, uses and can radiate radio frequency energy and, if not installed and used in accordance with the instructions, may cause harmful interference to radio communications. However, there is no guarantee that interference will not occur in a particular installation. If this equipment does cause harmful interference to radio or television reception, which can be determined by turning the equipment off and on, the user is encouraged to try to correct the interference by one or more of the following measures:

- Reorient or relocate the receiving antenna.
- Increase the separation between the equipment and receiver.
- Connect the equipment into an outlet on a circuit different from that to which the receiver is connected.
- Consult the dealer or an experienced radio/TV technician for help.

Note: The Grantee is not responsible for any changes or modifications not expressly approved by the party responsible for compliance. such modifications could void the user's authority to operate the equipment.

The device has been evaluated to meet general RF exposure requirement.

To maintain compliance with FCC's RF exposure guidelines, the distance must be at least 20 cm between the radiator and your body, and fully supported by the operating and installation configurations of the transmitter and its antenna(s).

CONTACT:

orders@aquaamp.com
13926 Monroes Business Park, Tampa, FL 33635

For further information visit www.aquaamp.com