

# AquaAmp

## 300 SERIES

HIDDEN TOP-MOUNTED CHARGER



### UPGRADABLE MAGNETS

Optional upgrade for ultra-strong 4x strength magnets.



### OPTIONAL STATUS LED

External charging status LED or digital switch integration.



### Premium Marine Grade Wireless Phone Charger

CERTIFICATIONS



25W FAST CHARGING\*



MAGNETIC ALIGNMENT



IPX7 WATERPROOF



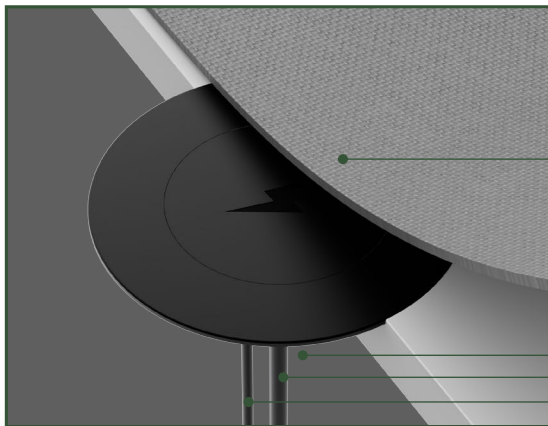
RUGGED MATERIAL



12V DC INPUT



5 YEAR WARRANTY



- SUBSURFACE INSTALLATION
- OPTIONAL LOCK RING
- 12V POWER INPUT
- OUTPUT SIGNAL



BASED IN TAMPA, FL  
PATENT PENDING

\*BASED ON 325X MODEL



CONTACT FOR  
OEM PRICING

SALES@AQUAAMP.COM

813-336-1181



SCAN QR CODE  
TO VISIT PRODUCT PAGE